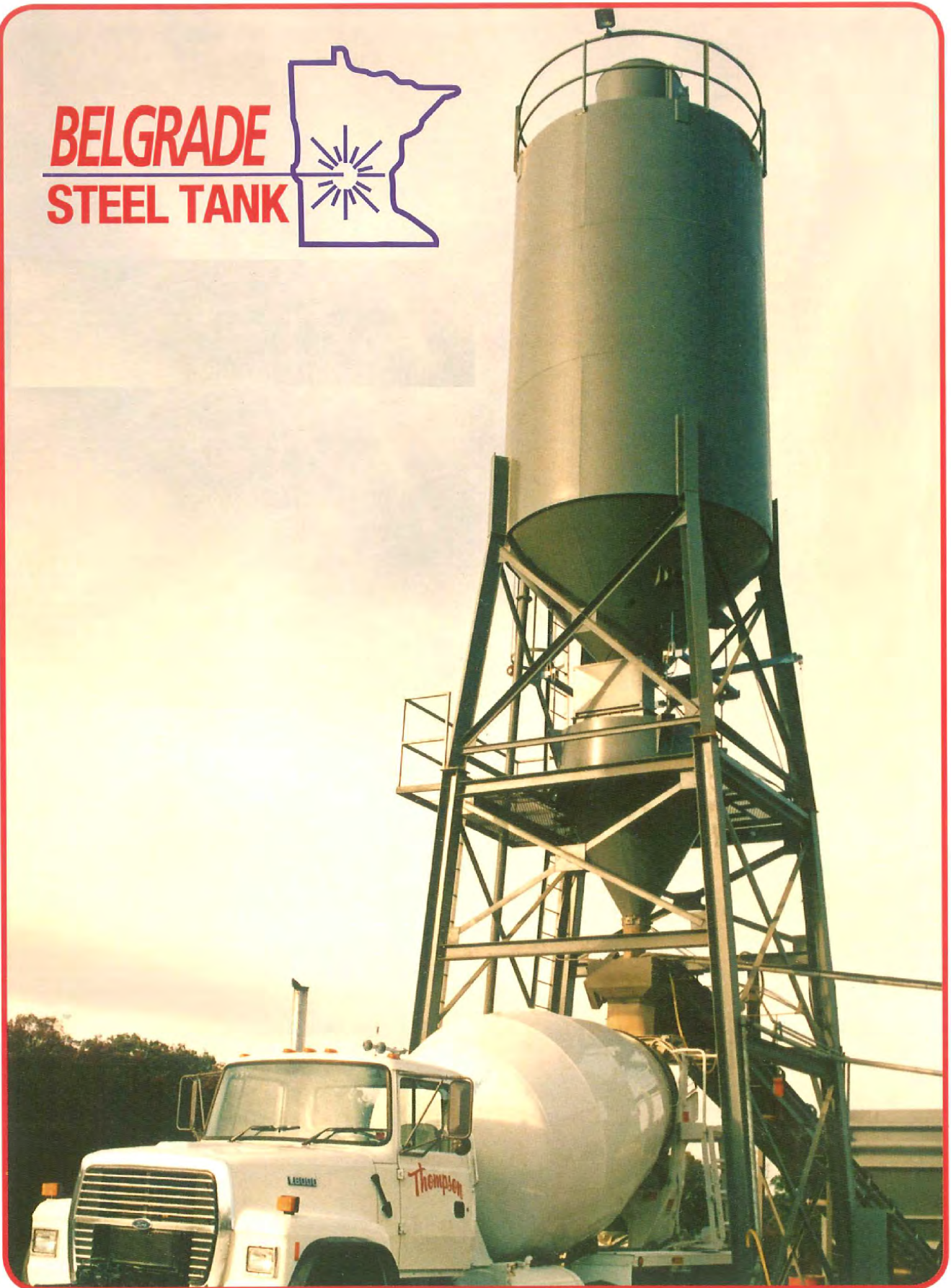
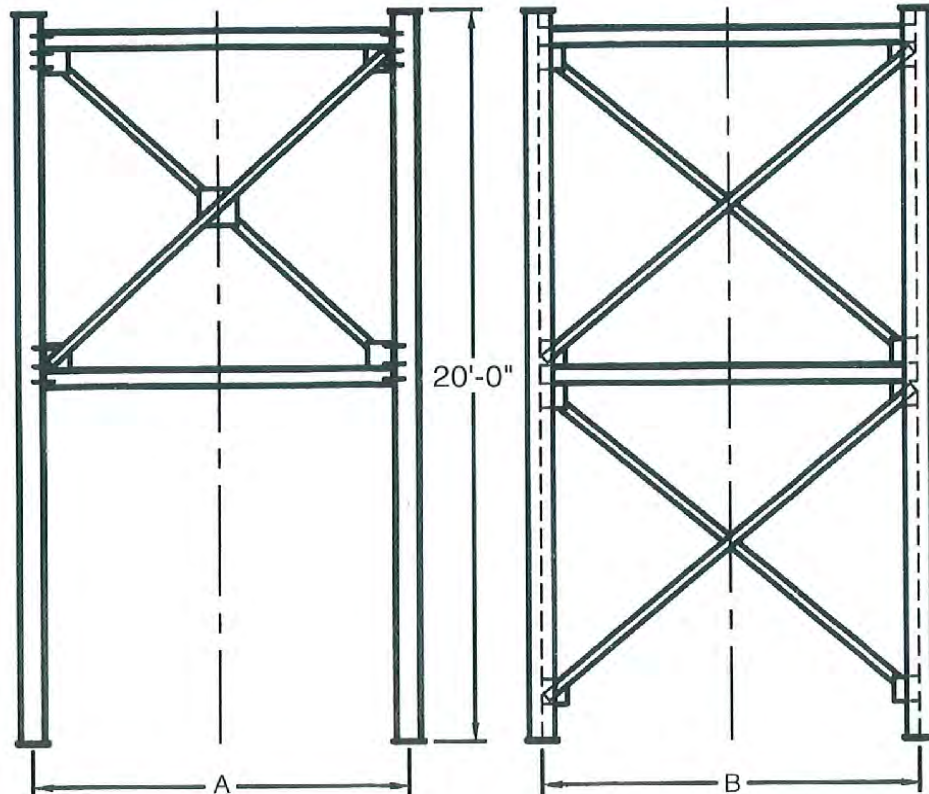


BELGRADE
STEEL TANK



Belgrade Non-Drive Thru Structural Stands

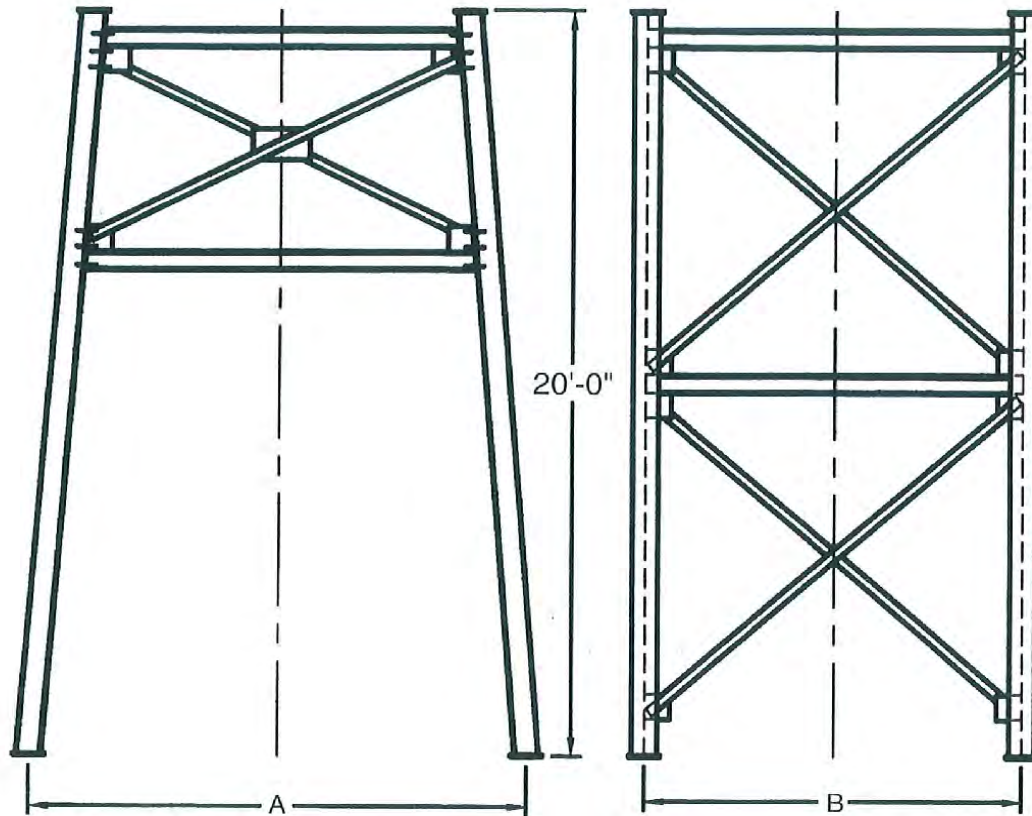


Stand Pricing Includes:

- 20 Ft. Standard Height (shorter or taller stand may be special ordered)
- Extension 4" blower pipe(s)
Optional 5"
- Ladder, landing and cage
- Wide flange beam columns and horizontal bracing w/angle iron X-bracing
- Minimal bolted assembly for ease of erection and transportation
- Sand blast, prime and paint standard color white-grey-tan-yellow
- Optional work platform

Barrel	A	B	WT
185	7'8"	7'8"	4200#
270	7'8"	7'8"	4200#
350	7'8"	7'8"	4200#
450	9'10"	9'10"	4200#
550	9'10"	9'10"	4800#
700	11'0"	11'0"	4800#
900	11'0"	11'0"	7500#
1050	11'0"	11'0"	7500#
1200	13'0"	11'0"	7500#
700 Split	11'0"	11'0"	7500#
850 Split	11'0"	11'0"	7500#
1000 Split	11'0"	11'0"	7500#
1200 Split	11'0"	11'0"	7500#

Belgrade Drive Thru Structural Stands

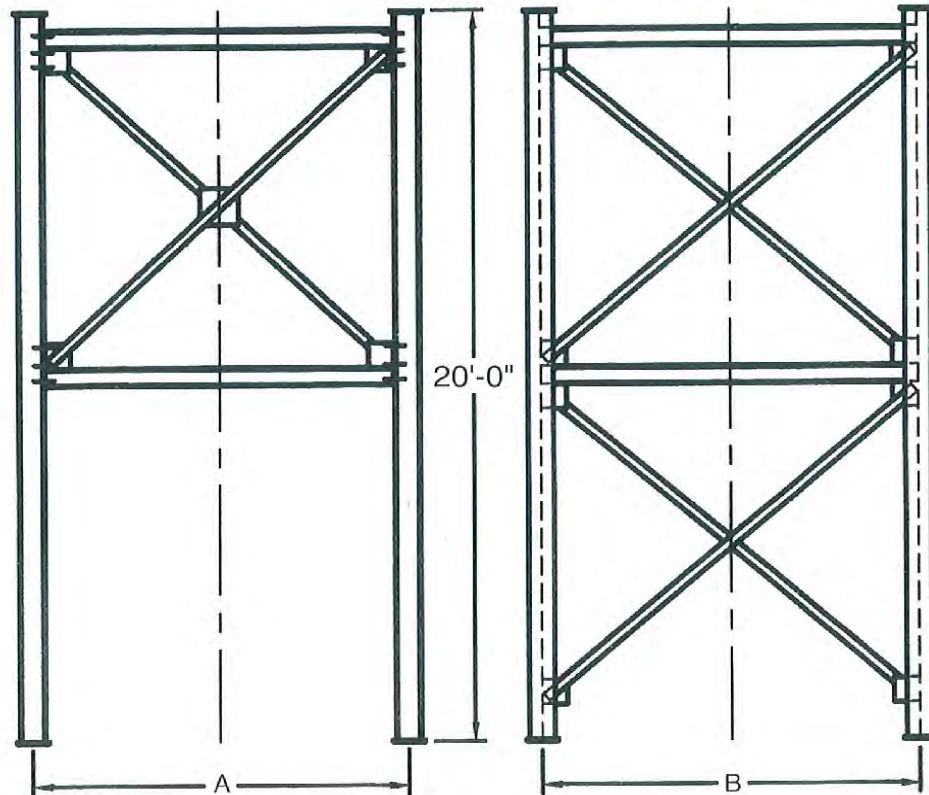


Stand Pricing Includes:

- 20 Ft. Standard Height (shorter or taller stand may be special ordered)
- Extension 4" blower pipe(s)
Optional 5" blower pipe
- Ladder, landing and cage
- Wide flange beam columns and horizontal bracing w/angle iron X-bracing
- Minimal bolted assembly for ease of erection and transportation
- Sand blast, prime and paint standard color white-grey-tan-yellow
- Optional work platform

<u>Barrel</u>	<u>A</u>	<u>B</u>
185	13'0"	7'8"
270	13'0"	7'8"
350	13'0"	7'8"
450	13'0"	9'10"
550	13'0"	9'10"
700	13'0"	11'0"
900	13'0"	11'0"
1050	13'0"	11'0"
1200	13'0"	11'0"
700 Split	13'0"	11'0"
850 Split	13'0"	11'0"
1000 Split	13'0"	11'0"
1200 Split	13'0"	11'0"

Belgrade Non-Drive Thru Structural Stands

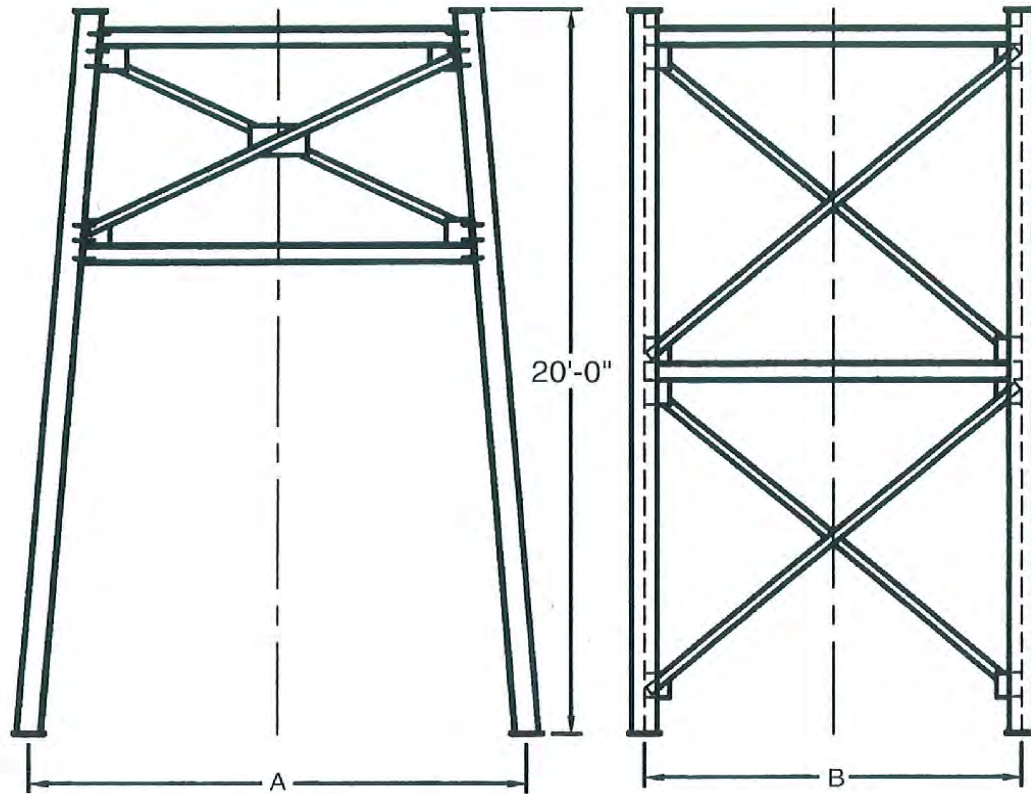


Stand Pricing Includes:

- 20 Ft. Standard Height (shorter or taller stand may be special ordered)
- Extension 4" blower pipe(s)
Optional 5"
- Ladder, landing and cage
- Wide flange beam columns and horizontal bracing w/angle iron X-bracing
- Minimal bolted assembly for ease of erection and transportation
- Sand blast, prime and paint standard color white-grey-tan-yellow
- Optional work platform

Barrel	A	B	WT
185	7'8"	7'8"	4200#
270	7'8"	7'8"	4200#
350	7'8"	7'8"	4200#
450	9'10"	9'10"	4200#
550	9'10"	9'10"	4800#
700	11'0"	11'0"	4800#
900	11'0"	11'0"	7500#
1050	11'0"	11'0"	7500#
1200	13'0"	11'0"	7500#
700 Split	11'0"	11'0"	7500#
850 Split	11'0"	11'0"	7500#
1000 Split	11'0"	11'0"	7500#
1200 Split	11'0"	11'0"	7500#

Belgrade Drive Thru Structural Stands



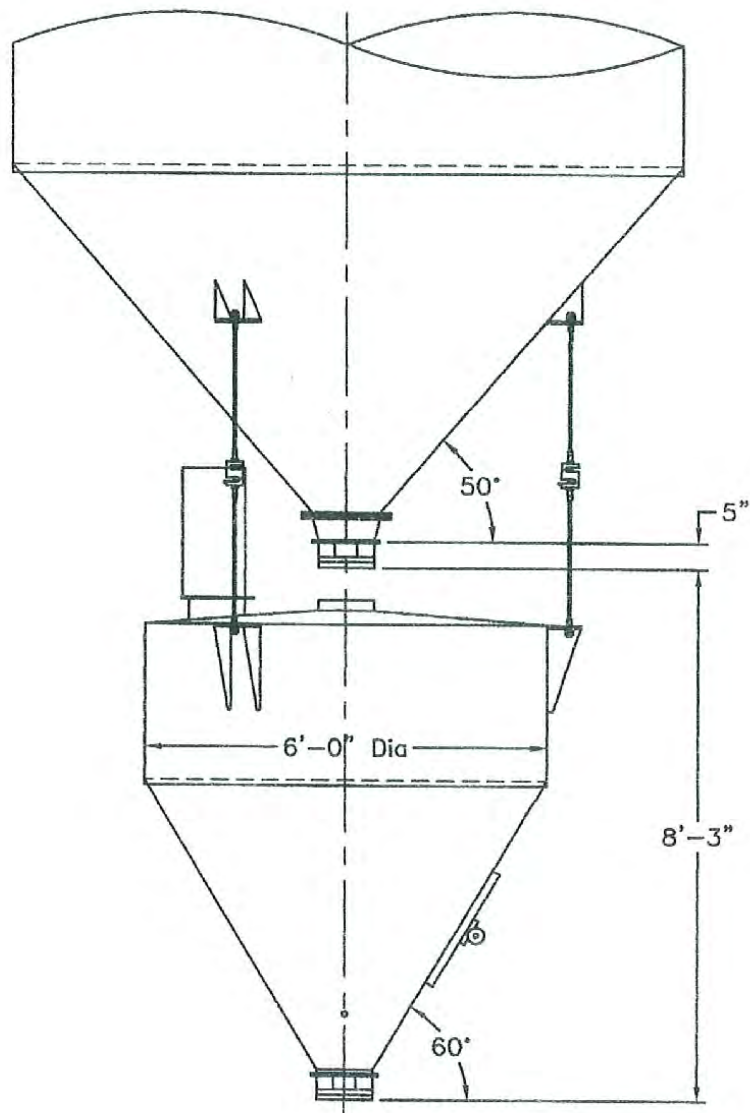
Stand Pricing Includes:

- 20 Ft. Standard Height (shorter or taller stand may be special ordered)
- Extension 4" blower pipe(s)
Optional 5" blower pipe
- Ladder, landing and cage
- Wide flange beam columns and horizontal bracing w/angle iron X-bracing
- Minimal bolted assembly for ease of erection and transportation
- Sand blast, prime and paint standard color white-grey-tan-yellow
- Optional work platform

<u>Barrel</u>	<u>A</u>	<u>B</u>
185	13'0"	7'8"
270	13'0"	7'8"
350	13'0"	7'8"
450	13'0"	9'10"
550	13'0"	9'10"
700	13'0"	11'0"
900	13'0"	11'0"
1050	13'0"	11'0"
1200	13'0"	11'0"
700 Split	13'0"	11'0"
850 Split	13'0"	11'0"
1000 Split	13'0"	11'0"
1200 Split	13'0"	11'0"

10-Yard Cement Batching Package

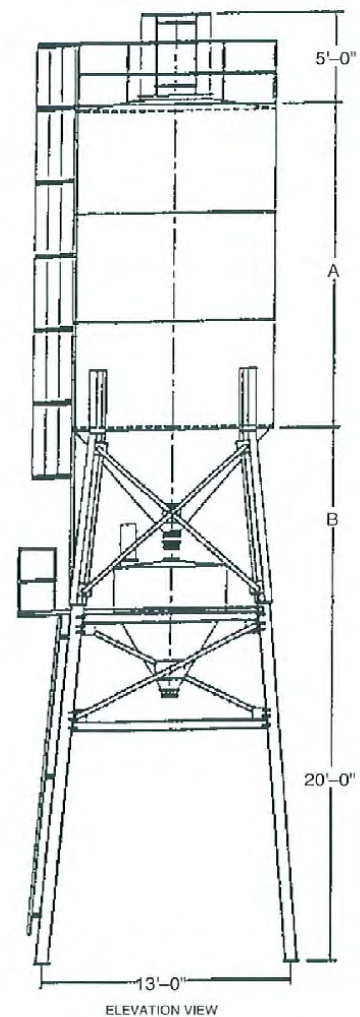
Includes Scale Hopper with Air Vibrator, Weigh System with Digital Indicator, 2 - 10" Butterfly Valves with Air Actuators, Limit Switch, 16 sq. ft. Filter Vent, Internal Air Pads, Gum Rubber and Vinyl Boot.



Belgrade Batching Silos

Standard Equipment: *Legs with 3'6" Clearance Under Discharge, Jam Gate, Outside Ladder with Cage-Full Railing, 4" Blower Pipe with Alum. Adapter, 150 Sq. Ft. Dust House with Air Vibrator, Pop-Off Valve, Manhole, 8 Externally Mounted Air Pads With Manifold, Sand Blast, Prime, And Painted Standard Color (white, Lt. grey, dunes tan, cat yellow)

- Structural Stand with All Standard Equipment – 20' Tall Structure With Extension Blower Pipe(s), Ladder Landing and Ladder with Cage
- Work Platform
- 10 Yard Cement Batching Package With All Standard Equipment: Scale Hopper With Air Vibrator, Dust Vent, Hanger, Weigh System With Digital Indicator, 2-10" Butterfly Valves With Air Actuators, And Boot Sock
- Optional: 12 Yard Cement Batching Package Bin Level Indicators



Belgrade Batching Silos



Belgrade Batching Silos

Brrl

185

270

350

450

550

700

900

1050

1200

700 Split

850 Split

1000 Split





Belgrade Portable Cement Silo



350 Barrel Portable Silo

- 8'6" Dia. x 37' Height.
- Positive Feed Drive
- 9" Dia. Screw x 17'
- 10 HP Motor and Gear Box Drive
- Heavy Duty Dual Axle Trailer and Tires
- Electric Brakes and Light Package
- 150 Sq. Ft. Bag Area Dust House with Air Vibrator
- Trailer Jack
- Wt. 10,000#
- 13'-6" Auger Discharge Height

270 Barrel Portable Silo

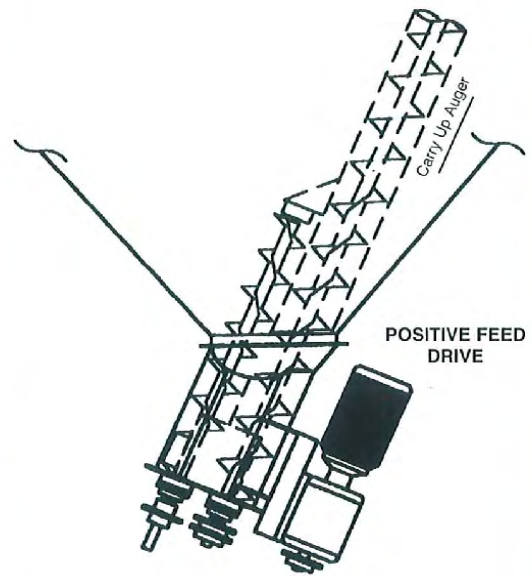
- 8'6" Dia. x 31'-0" Height
- Positive Feed Drive
- 7" Dia. Screw x 17'
- 5 HP Motor and Gear Box Drive
- Heavy Duty Dual Axle Trailer and Tires
- Electric Brakes and Light Package
- 150 Sq. Ft. Bag Area Dust House with Air Vibrator
- Trailer Jack
- Wt. 8,500#
- 13'-6" Auger Discharge Height

Options: Available with 225 Sq. Ft. Dust House
Bin Level Indicators
Leg Extension Package
Upgrade to 9" & 12" Screw
Gas Motor Available on 7" Screw Auger Only
Single Phase Motor
Consult Factory for Pricing on Larger Portable Silos



Legal Height - Legal Width - Towable with One-ton Truck

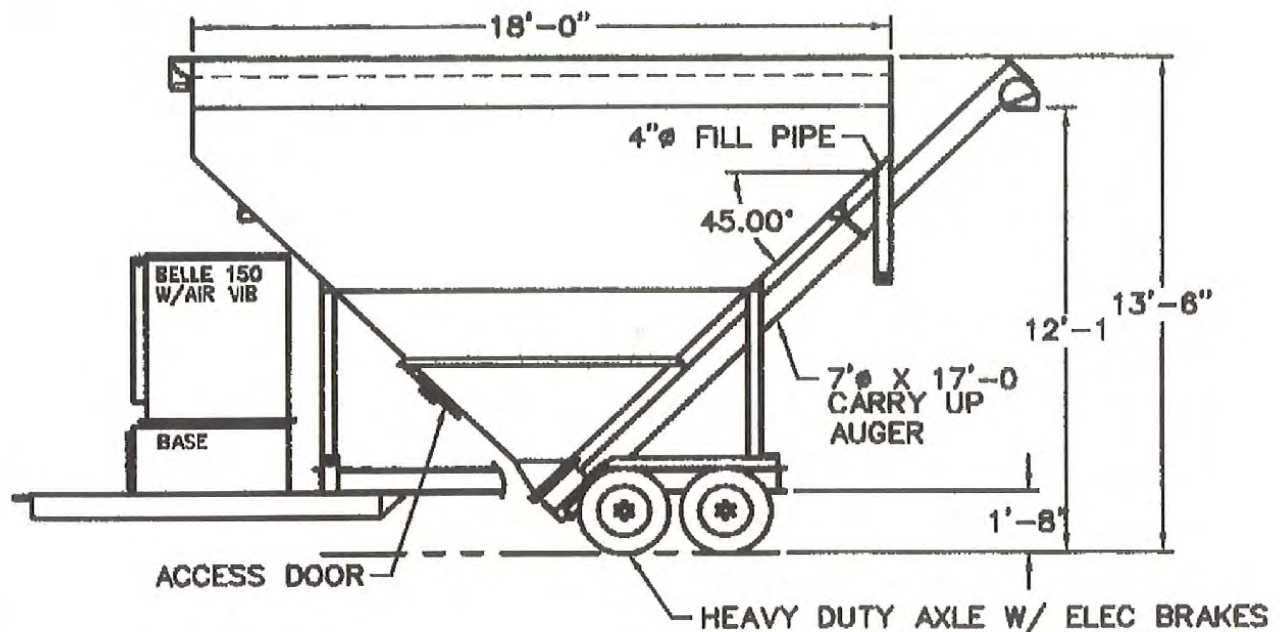
Positive Feed Drive System





Belgrade 200 Barrel Low-Profile Cement Silo

- 200 Barrel Capacity/800 Cu. Ft.
- Legal 8'6" Wide x Legal 13'6" Tall
- 26' Over All Length
- 7" Discharge Screw Standard (Avail. w/9")
- 5 HP Gear Box Drive (Optional: Gas Engine Drive)
- Manual Slide Gate
- Two 6,000# Axles w/Wheels and Tires
- Electric Brakes and Lights
- Belle 150 Sq. Ft. Dust House w/Air Vibrator Standard
- WT. 8,000#

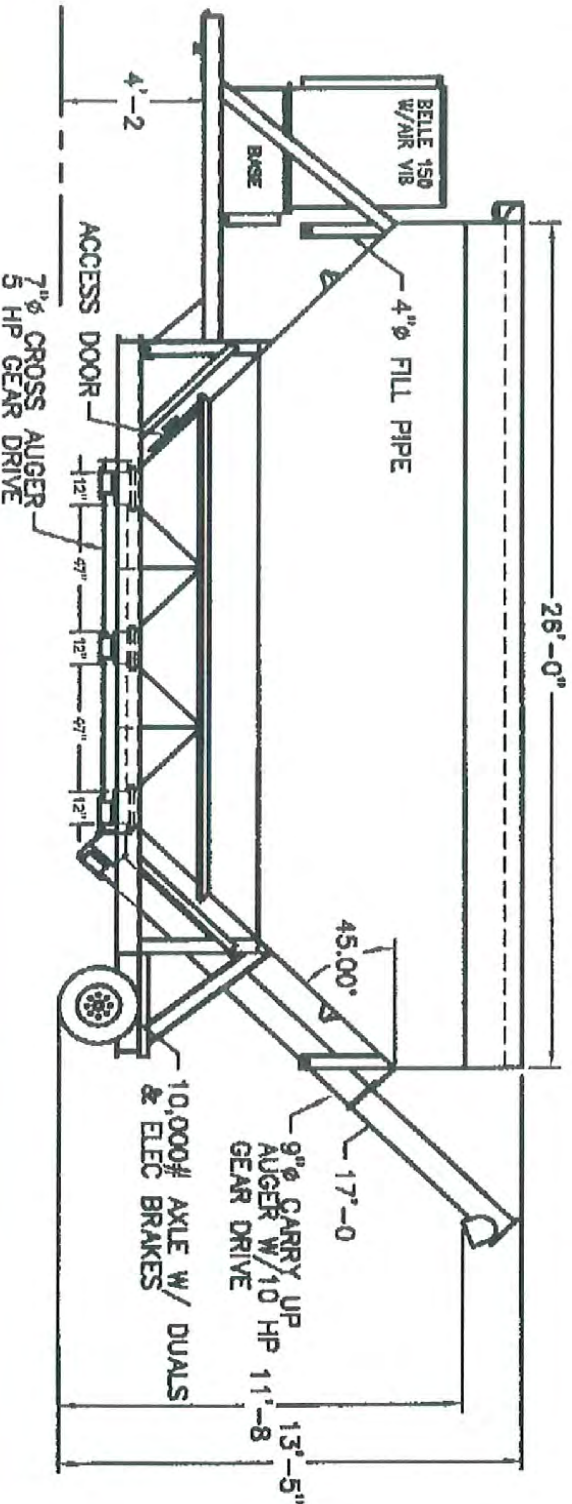




Belgrade 300 Barrel Portable Low-Profile Cement Silo

- 300 Barrel Capacity/1200 Cu. Ft.
- Legal 8'6" Wide x Legal 13'6" Tall
- 38' Over All Length
- 7" Cross Screw, 9" Carry Up Screw
- 5 HP and 10 HP Gear Box Drives

- Jamgate on Each Hopper
- 10,000# Axle with Dual Wheels and Electric Brakes
- 5th Wheel Trailer and Lights
- Belle 150 Sq. Ft. Dust House
- WT. 15,000#



BELGRADE STEEL TANK CO., INC.



330 PULSE JET DUST HOUSE

Collector Specifications

Total Filtration Area	330 Sq. Ft.
Air to Cloth Ratio (ACFM/Sq.')	4.8
Pressure Drop	6"
Air Capacity	1600
Outlet Area (Sq.')	.83
Cleaning Method	Pulse Jet
Inlet Dust Concentration at 15 Gr./Cu.'	25,000
Outlet Emissions (Gr./Min)	2.50
Outlet Dust Loading (Gr./Cu.')	.0015
Air Consumption	8 CFM
Solenoids	3 w/ Timer Board

Filter Cartridge Specifications

Dimensions	(6) 10.09" OD x 5.75" ID x 30" Height
Top End Cap	G60 Galvanized—Open with 11.000" Flange
Bottom End Cap	G60 Galvanized—Closed
Gasket	5/8" Height x 10" ID Neoprene
Outer Retainer	Retainer Bands
Inner Core	Galvanized Expanded Metal, 72% Open
Filter Area	55 Square Feet
Fiber	100% Spun Bond Polyester
Material Weight	8 oz / Square Yard
Permeability	24 C.F.M.
Mullen Burst Dry	388 PSI
Temperature Limit	275 Degrees Fahrenheit
Efficiency	99.99%

Operation Recommendations: Supply unit with 100 PSI air pressure and 110 volt power. Turn on unit when the filling cycle begins and continue to operate unit 5-10 minutes after filling cycle is complete.



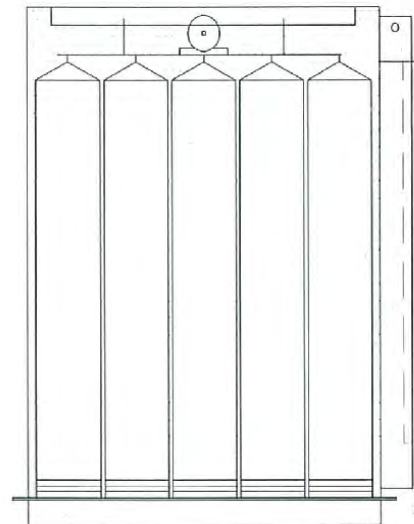
BELGRADE STEEL TANK CO., INC.

“BELLE” STYLE DUST HOUSE



“Belle” Filter Sock Specifications

Style	PE 37
Fiber	100% Polyester
Weight	9 oz./Sq. Yd.
Construction	Spun/Spun
Count	100W x 60F
Air Permeability	20-30 C.F.M.
Mullen Burst	500 PSI
Tensile Strength	Warp Direction 300# Fil Direction 275#
Max Operating Temp	275 Degrees F.
Efficiency	99.99%



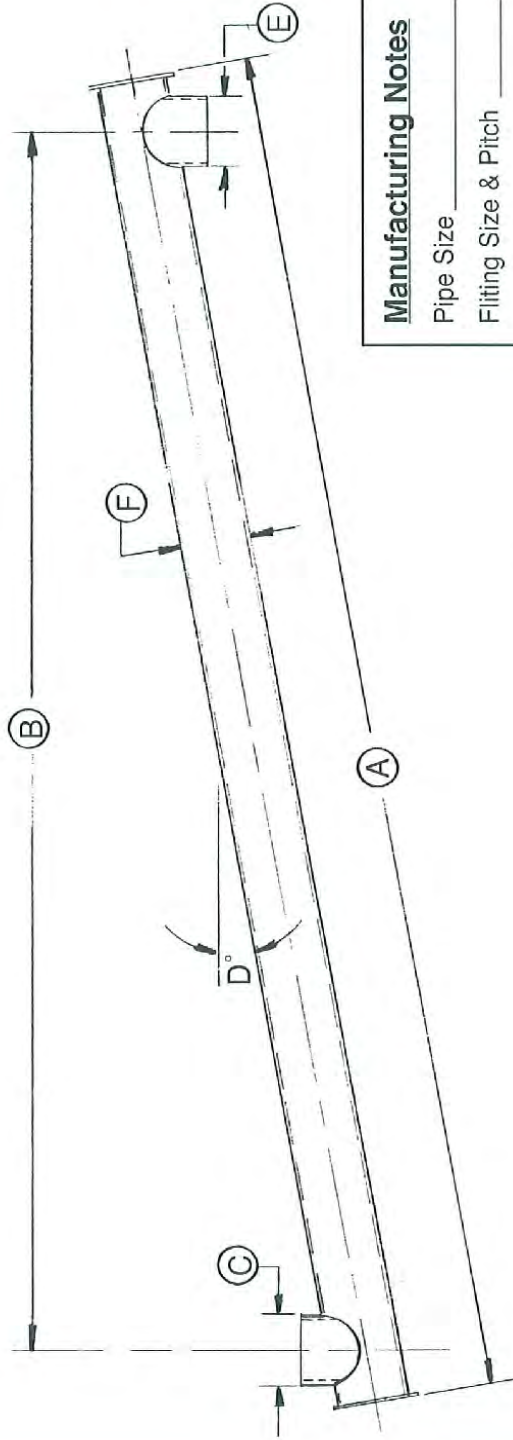
<u>Square Ft. Bag Area</u>	<u>Cap. Cement</u>
150	375 C.F.M.
225	675 C.F.M.

The dust house is equipped with either an air powered or electric powered vibrator used for cleaning of the bags. If air powered, connect air supply line to the 3/8” NPT coupling located on center above the door, and supply the vibrator with 80 psi oiled or non-oiled air. If electric powered, reconnect power cord which exits the top side of dust house to the control box supplied. Operate vibrator for approx. 10-15 minutes after each load of material has been blown in.



Belgrade Auger Worksheet

A. _____
 B. _____
 C. _____
 D. _____
 E. _____
 F. _____

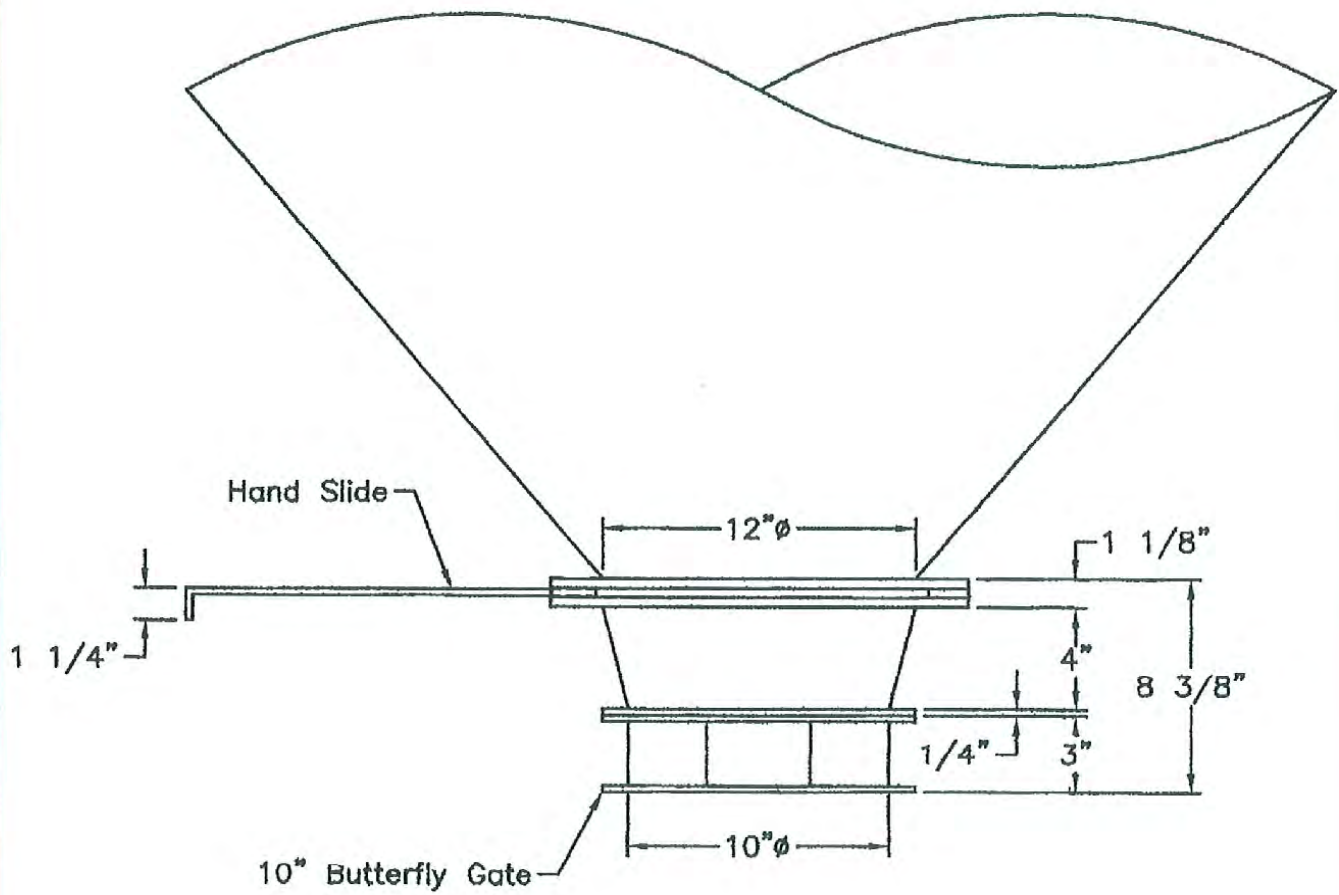


Manufacturing Notes

Pipe Size _____
 Fluting Size & Pitch _____
 Shaft Size (s) _____
 Pulley Size _____
 Sprocket Size _____
 Belt Size _____
 Chain Length _____

Ship to: _____
 Motor: _____ H.P. _____ -Phase _____
 Gear Box _____
 Drive from (circle one) Inlet or Discharge End
 Hanger Bearing (circle one) None One Two
 Paint Color _____
 Phone _____
 Approval Signature _____

Belgrade Jamgate Assembly



10 Yard Accumulative Aggregate Batcher



Basic Design for small or entry level producers. Rugged design and simple operation for years of trouble free service.

These basic plants are available in 10 or 12 yard capacity, 24" or 30" conveyor, mild or abrasion resistant steel hoppers, and accumulative or decumulative operation.

10 Yd. Aggregate Scale Hopper

- 1/4" & 3/16" Material
- 12"x24" Gate - 3/8" Clam
- 3 1/2"x8" Air Cylinder
- Turbine Vibrator
- (4) 15,000# Load Cells and Digital Indicator
- Scale Support Stand



24" x 38' Belt Conveyor

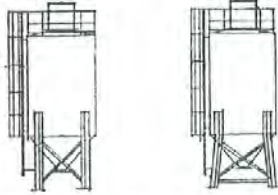
- 300 ft. per Minute
- 8" Channel Frame
- 20-degree and 35-degree Trough Idlers and Returns
- 24" Wide 3/16 x 1/16 2-ply belt
- 14" Head Pulley with Herringbone Lagging on 2 - 3/16" Drive Shaft and Pillow Block Bearings
- 12" Wing Type Tail Pulley on 2 3/16" Shaft and Pillow Block Bearings
- Individual Belt Tighteners with 3/4" Sealed in Grease Threaded Rods
- 10 HP 3-phase Motor T.E.F.C.
- Shaft Mount Gear Box Complete with Double Groove Pulleys, Belts, and Backstop
- Gathering Hopper with Rubberized Sock
- Intermediate Support Stand where required



- Sand Blast, Phosphatized, Primed and Painted - White, Lt. Grey, Tan or Cat Yellow
- Optional: Water Meter and Plumbing - Consult Factory
- Motor Starter Package - Consult Factory

BELGRADE BASIC SILOS

STANDARD EQUIPMENT: Legs with 3'-6" clearance under discharge, jam gate, outside ladder with cage - full railing, 4" blower pipe with alum. adapter, 150 sq. ft. dust house with air vibrator and pop off valve, manhole, (8) externally mounted air pads with manifold, sand blast, prime, and paint standard color (white, light grey, dunes tan, cat yellow).



Barrel Cap.

- 185
- 270
- 350
- 450
- 550
- 700
- 900
- 1050
- 1200

DOUBLE WALL SPLIT SILOS

STANDARD EQUIPMENT: Legs with 3'-6" clearance under discharge, (2) jam gates, outside ladder with cage - full railing, (2) 4" blower pipes with alum. adapter, (2) 150 sq. ft. dust houses with air vibrators and pop off valves, (2) manholes, (12) externally mounted air pads with manifold, sand blast, prime, and paint standard color (white, light grey, dunes tan, cat yellow).

Barrel Cap.

- 500
- 700
- 850
- 1000
- 1200

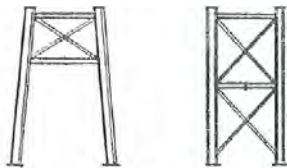
STRUCTURAL STANDS

20' TALL STRUCTURE: Includes extension blower pipe(s), ladder landing, ladder with safety cage.

Drive Thru

Non Drive Thru

Stand For:



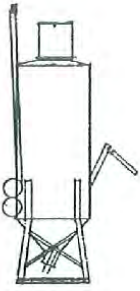
- 185
- 270
- 350
- 450
- 500 split
- 550
- 700
- 700 split
- 900
- 850 split
- 1050
- 1000 split
- 1200

WORK PLATFORM WITH FULL RAILING



BELGRADE ROUND PORTABLE CEMENT SILO

Includes: Caged Ladder and Railing Package



270 Barrel Capacity

7" screw with 5 hp 3 ph motor
upgrade to 9" screw with 10 hp 3 ph motor
upgrade to 16 hp gas motor

350 Barrel Capacity

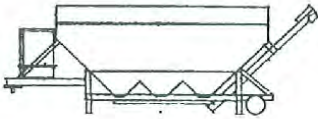
9" screw with 10 hp 3 ph motor
upgrade to 12" screw with 20 hp 3 ph motor
Option: Ladder Safety Cable System (in lieu of safety cage)

450 Portable
550 Portable

700 Portable
900 Portable

1050 Portable
1200 Portable

BELGRADE LOW PROFILE PORTABLE CEMENT SILO



200 Barrel Capacity

7" screw with 5 hp 3 ph motor
upgrade to 16 hp gas motor

300 Barrel Capacity

9" screw with 10 hp 3 ph motor

PULSE JET DUST HOUSE

330 Sq. Ft.

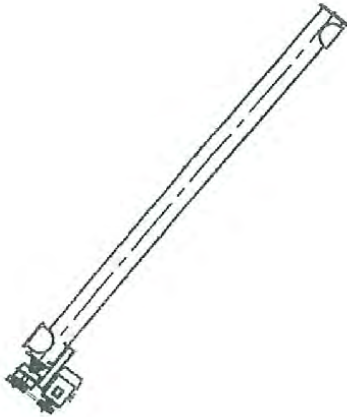
BELLE STYLE DUST HOUSE

Belle 150 Sq. Ft. with Air Vibrator
Belle 225 Sq. Ft. with Air Vibrator

BELLE STYLE DUST FILTER VENT

16 Sq. Ft.

BELGRADE SCREW CONVEYORS



7" dia. screw x 15'-0"

Per additional foot

9" dia. screw x 15'-0"

Per additional foot

12" dia. screw x 15'-0"

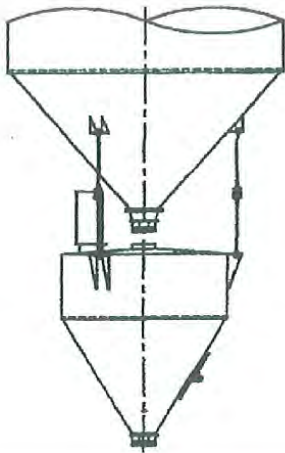
Per additional foot

Hanger Bearing (recommended for over 21')

10 hp 3 ph motor & gear box drive

15 hp 3 ph motor & gearbox drive

20 hp 3 ph motor & gearbox drive



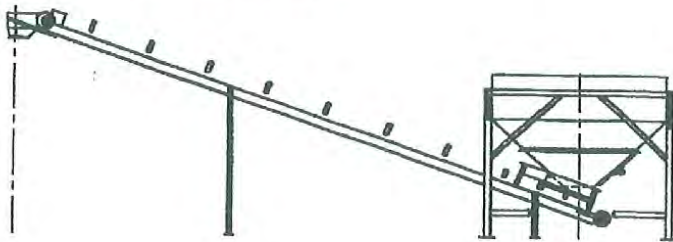
10 YARD CEMENT BATCHING PACKAGE

STANDARD EQUIPMENT: 10 yard scale hopper with air vibrator, (2) air pads, dust vent, hanger brackets, weigh system with digital indicator, (2) 10" butterfly valves with air actuators, limit switch, gum rubber and vinyl boot sock.

Option: Upgrade to 12 Yd Capacity

10 YARD ACCUMULATIVE AGGREGATE BATCHING PACKAGE

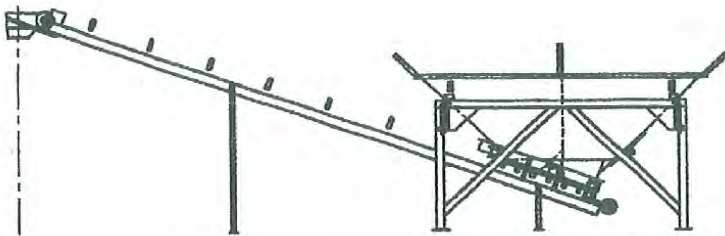
STANDARD EQUIPMENT: 10 yard scale hopper, weigh system with digital indicator, structural support stand, 24" x 38'-6" long belt conveyor. Includes: gear box drive with back stop and motor, discharge gate with cylinder, limit switch, air vibrator, collecting hopper with gum rubber boot sock, and torsion style belt wiper.



Options: Upgrade to 12 Yd Capacity
Upgrade to 30" Belt

12 YARD DECUMULATIVE AGGREGATE BATCHING PACKAGE

STANDARD EQUIPMENT: Two compartment 12 yard scale hopper, weigh system with digital indicator and decumulative batching software, structural support stand, 24" x 38'-6" long belt conveyor. Includes: gear box drive with back stop and motor, (2) discharge gates with cylinders and limit switches, (2) air vibrators with air hose, collecting hopper with gum rubber boot, and torsion style belt wiper.



Option: Upgrade to 30" Belt

Belgrade Steel Tank Co., Inc. cement and aggregate weigh vessels are certified and conform with the requirements of the National Type Evaluation Program.

BELGRADE BASIC THREE COMPARTMENT OVERHEAD AGGREGATE BINS

STANDARD EQUIPMENT: 1/4" thick material on all cones and sloped walls, 3/16" thick material on all straight walls and dividers, removable heap plates: 1'-6" high x 3/16" thick material, 16" sq. aggregate gates with air cylinders, 8" beam structural stand to provide 14'-0" clearance under gates.

<u>Capacity In Tons</u>	<u>Bin Height (Excluding Heap Plates)</u>	<u>Weight (Without Stand)</u>	<u>Weight (With Stand)</u>
65	22'-0"	10,360#	15,900#
90	24'-0"	11,360#	16,900#
120	26'-0"	11,980#	17,500#
145	28'-0"	14,340#	20,200#
170	30'-0"	16,180#	22,100#
200	32'-0"	17,850#	23,800#

BELGRADE BASIC FOUR COMPARTMENT OVERHEAD AGGREGATE BINS

STANDARD EQUIPMENT: 1/4" thick material on all cones and sloped walls, 3/16" thick material on all straight walls and dividers, removable heap plates: 1'-6" high x 3/16" thick material, 16" sq. aggregate gates with air cylinders, 8" beam structural stand to provide 14'-0" clearance under gates.

<u>Capacity In Tons</u>	<u>Bin Height (Excluding Heap Plates)</u>	<u>Weight (Without Stand)</u>	<u>Weight (With Stand)</u>
140	27'-0"	16,515#	22,700#
180	29'-0"	19,915#	26,100#
215	31'-0"	22,100#	28,300#

24" x 38'-6" BELT CONVEYOR

STANDARD EQUIPMENT: 24" x 38'-6" long belt conveyor, channel frame with angle bracing, 14" lagged head pulley, 12" wing tail pulley, 220 PIW two ply belt, 20 degree, 35 degree and return idlers, 10 Hp 3 Ph motor and gear box drive with back stop, inlet collecting hopper with belting, 20" round outlet with gum rubber boot, 2" x 25' water pipe, support stand, and torsion style belt wiper.

Option: Upgrade to 30" Belt

Option: Radial Stacking Conveyors, Turnheads and Charge Hoppers - Consult Factory For Pricing

See Batching and Equipment Controls for additional products.

Contact the factory for options on cone-bottom and flat-bottom liquid tanks.



Aggregate Gates

12" x 12" w/ 3 1/2 x 8 Air Cylinder
 12" x 24" w/ 3 1/2 x 8 Air Cylinder
 12" x 38" w/ 3 1/2 x 8 Air Cylinder
 16" x 16" w/ 4 x 10 Air Cylinder
 16" x 24" w/ 4 x 10 Air Cylinder
 16" x 36" w/ 4 x 10 Air Cylinder
 16" x 48" w/ 4 x 10 Air Cylinder

Air Cylinders

3 1/2" x 8"
 4" x 10"

Air Hose

3/8" OD x 1/4" ID (per foot)
 1/2" OD x 3/8" ID (per foot)

Air Pad (internal)**Air Pad with Kit (external)****Aluminum Adapter (4" & 5")**

Dust Cap

Bearings (4 Bolt Flange Style)

1 1/4"
 1 1/2"
 1 15/16"
 2"

Bearing Gasket 1/4" UHMW 1/8" Rubber

1 1/4"
 1 1/2"
 1 15/16"
 2"

Bin Level Indicator

110 Volt
 12 Volt
 Light Package for BLI

Centrifugal Clutch

Clutch Lining Kit

Dust Filter Cartridge**Dust Filter Socks**

8" Dia. x 2' Long
 8" Dia. x 4' Long
 8" Dia. x 6' Long

Dust Sock Clamp**Fill Pipe**

4" (per foot)
 5" (per foot)
 Upgrade 4" - 5" (per foot)

Fill Pipe Elbow (90 degree)

4"
 5"

Flop Gate

2 Way Gate w/ 3 1/2 x 8 Air Cylinder
 3 Way Gate w/ 3 1/2 x 8 Air Cylinder

Free Standing Base w/clean out**Gear Reducer - Inline Style**

F862B-10S-B9
 F872B-10S-B11
 RF652A-10-B13

Gear Reducer - Shaft Mount Style

10 HP (4115)
 15 & 20 HP (4203)
 25 HP (4207)
 30 & 40 HP (4215)

Gear Reducer - Gas Motor Application

Falk Omnibox Right Angle

Grease Pack Bearing

1 1/4"
 1 1/2"
 1 15/16"
 2"

Gum Rubber Boot Sock (1/4" Thick)

10 3/4" x 2'-0" Long
 10 3/4" x 4'-0" Long
 20 1/2" x 30" Long

Jam Gate Assembly**Jaw Clutch Assembly**

Brass Yoke (only)
 Handle Assembly

Jig Charge - New**Keystone Accessories**

10" Butterfly Valve with Actuator
 10" Butterfly Valve Only
 12" Butterfly Valve with Actuator
 12" Butterfly Valve Only
 Actuator Only
 Limit Switch
 Manual Handle
 Single Solenoid with Coil
 Double Solenoid with Coils
 10" & 12" Mating Flange
 10" EPDM Gasket

Ladder (per foot)

- Ladder Cage (per foot)
- Ladder Cage (hoop only)

Load Cells

- 2,500#
- 5,000 #
- 15,000#

Manhole (18" & 20")

- Manhole Gasket

Manifold

Motors - 3 Phase

- 5 HP
- 10 HP
- 15 HP
- 20 HP
- 25 HP
- 30 HP
- 40 HP
- All Upgrades to 1 Phase
- 16 HP Gas Motor (with clutch)

Pop Off Valve

- Pop Off Valve Gasket

Portable Discharge Spouts

- 10" x 4'-0"
- 12 3/4" x 4'-0"

Portable Extension Tubes

- 8" x 3'-5"
- 10" x 3'-2"
- 12 3/4" x 3'-0"

Shafts

- 1 1/4" x 6 1/2 Tail
- 1 1/4" x 7 Tail
- 1 1/4" x 8 1/2 Drive
- 1 1/4" x 11 1/2 Drive
- 1 1/4" x 15 1/2 Drive

- 1 1/2" x 8 1/2 Tail
- 1 1/2" x 11 1/2 Drive
- 1 1/2" x 15 1/2 Drive

- 1 15/16" x 9 Tail
- 1 15/16" x 10 1/2 Drive
- 1 15/16" x 15 1/2 Drive

Shafts Cont.

- 2" x 9 Tail
- 2" x 10 1/2 Drive
- 2" x 15 1/2 Drive

Special Paint Charge

UHMW Block Bearing

Vibrators

- VS-190 (Air)
- VS-380 (Air)
- 2P-75 (Electric)
- 2P-150 (Electric)
- 50 - 1 1/2 Piston Style with Bracket

Vinyl Boot Sock with Clamp

- 8" x 4' Long
- 10 3/4" x 4' Long
- 10 3/4" x 6' Long
- 12 3/4" x 3' Long

Vinyl Boot Sock Clamps

- 10 3/4"
- 12 3/4"

Wam Accessories

- 10" Butterfly Valve with Actuator
- 12" Butterfly Valve with Actuator
- CP-101 Air Actuator
- CP-101 Actuator Repair Kit
- XSL-10 Replacement Gasket
- CM-2 Manual Handle
- MIC 22 Limit Switch
- V5V81 Single Solenoid with Coil
- V5V82 Double Solenoid with Coils
- 10" & 12" Mating Flange

Misc.

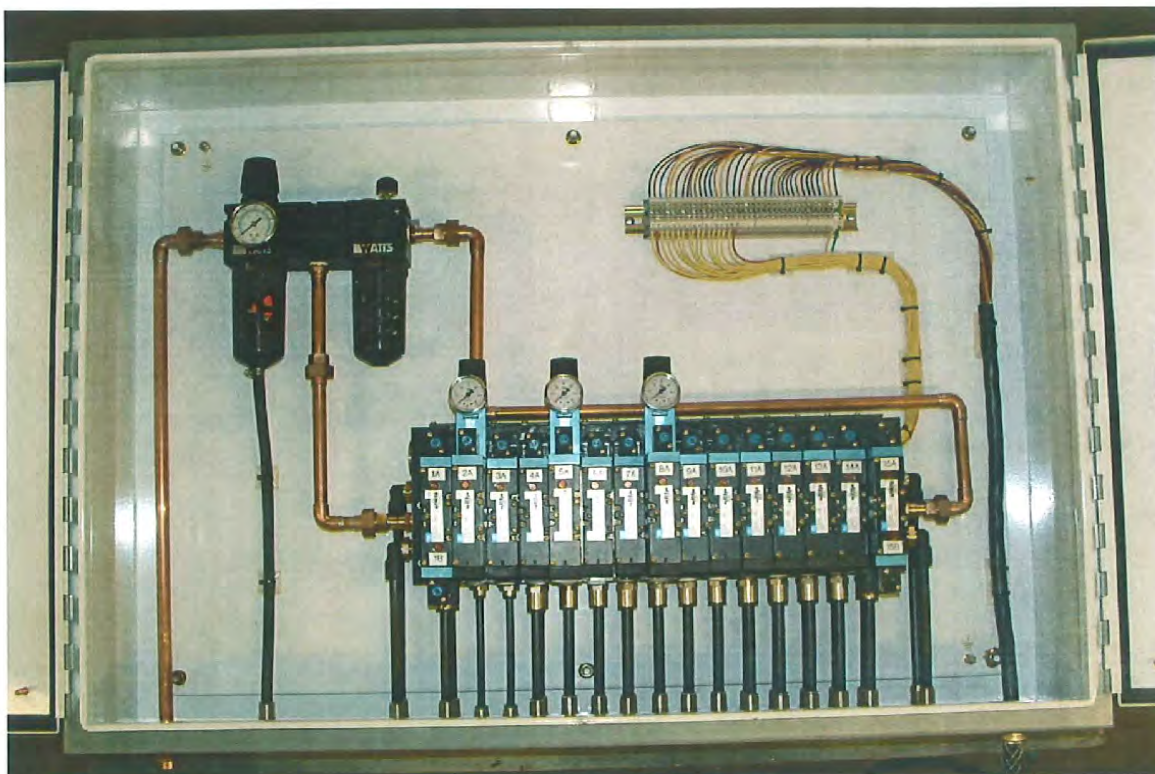
- Mac 93A-AAB Single Solenoid with Coil
with Manifold Base
- Mac 93A-EAB Double Solenoid with Coils
with Manifold Base
- Pulse Jet Dust House Solenoid with Coil
- Pulse Jet Dust House Timer Board
- Camozzi Filter / Regulator
- Camozzi Manual Air Control Valve:
Single
Double



BATCHING
&
EQUIPMENT
CONTROLS



BELGRADE STEEL TANK CO., INC.



15 STACK MAC VALVE SOLENOID PANEL

Price \$7,800 Includes The Following Standard Equipment:

- *** Thirteen Single Solenoid 9300 Series Valves
- *** Two Double Solenoid 9300 Inching Type Valves
- *** Manifold For Common Air And Electric Hookups
- *** Wired To Terminal Strip
- *** Filter / Regulator / Diverter / Oiler
- *** Three Regulators For Low Pressure Aerators
- *** Two Flow Control Valves For Scale Discharge Gates
- *** Completely Plumbed With Quick Connect Type Hose Fittings
- *** Mounted And Enclosed In A NEMA 3 Enclosure
- *** 50' Of 37 Pin Cable
- *** Hose And Fittings To Plumb Plant

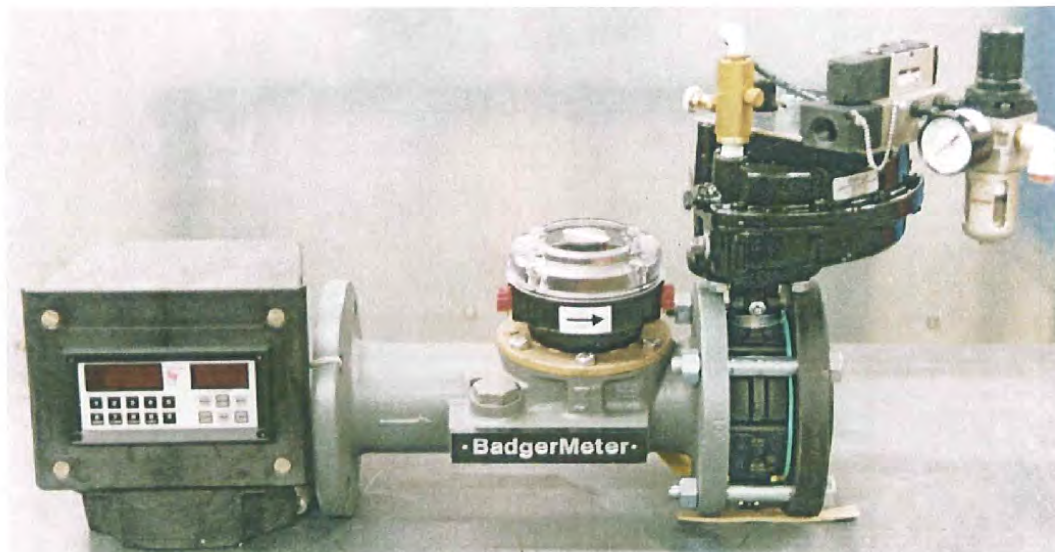
BELGRADE STEEL TANK CO., INC.



PUSH BUTTON CONTROL PANEL

Includes the Following Standard Equipment:

- *** Two Cement Feed Momentary Buttons
- *** Two Cement Aeration Maintained Buttons
- *** One Cement Scale Open Button
- *** One Cement Scale Closed Button
- *** One Cement Scale Open Indicator
- *** One Cement Scale Vibrator Maintained Button
- *** One Cement Scale Aeration Maintained Button
- *** Two Bin Indicator Lights
- *** Two Dust House Vibrator Switches
- *** Four Agg. Feed Momentary Buttons
- *** One Agg. Scale Open Button
- *** One Agg. Scale Closed Button
- *** One Agg. Scale Open Indicator
- *** One Agg. Scale Vibrator Maintained Button
- *** One Transfer Belt On / Off Button
- *** One Power On / Off Switch
- *** One Power Indicator Light
- *** One Main Fuse
- * **Shown With Optional: Badger CB-30 Water Controller**

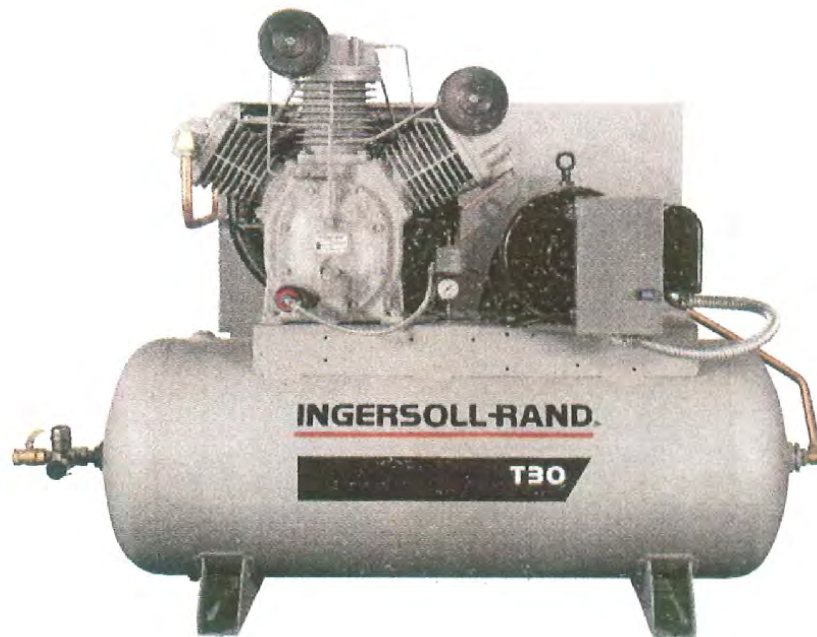
BELGRADE STEEL TANK CO., INC.**BADGER WATER METERS**

Includes The Following Standard Equipment:

- *** 2" Turbo Butterfly Valve With PFT-3E Unscaled Transmitter
- *** CB-20 Panel Mount Batch Controller
- *** NEMA 4X Enclosure

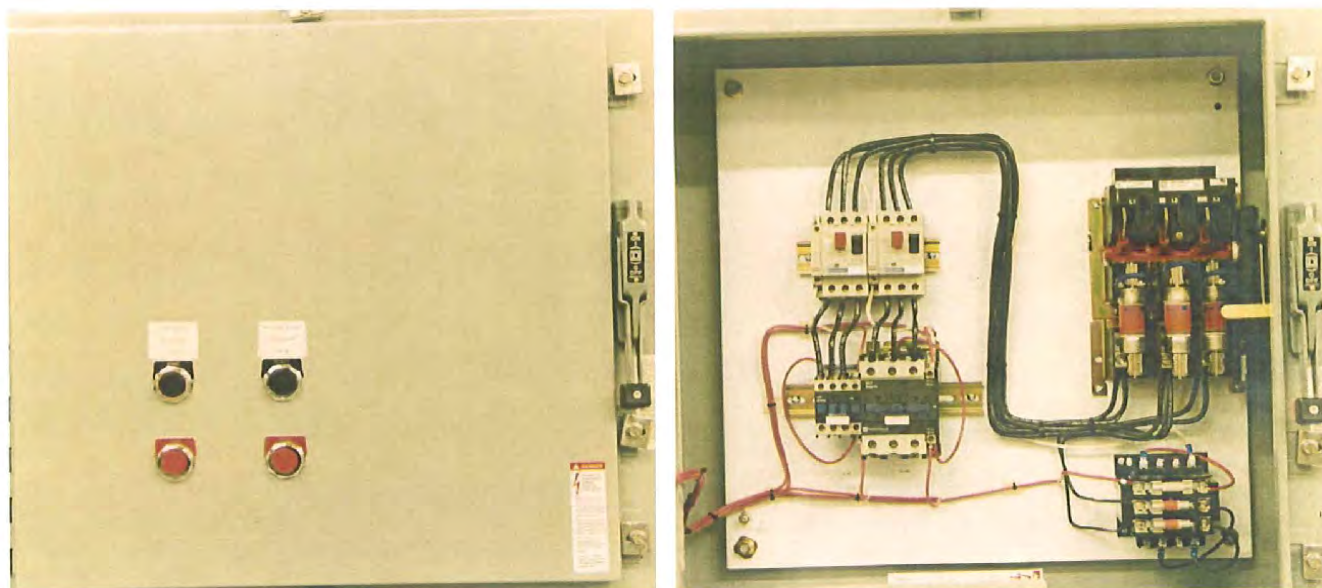
Price \$4,900 Includes The Following Standard Equipment:

- *** 3" Turbo Butterfly Valve With PFT-3E Unscaled Transmitter
- *** CB-20 Panel Mount Batch Controller
- *** NEMA 4X Enclosure

BELGRADE STEEL TANK CO., INC.**INGERSOLL-RAND 10 HP AIR COMPRESSOR**

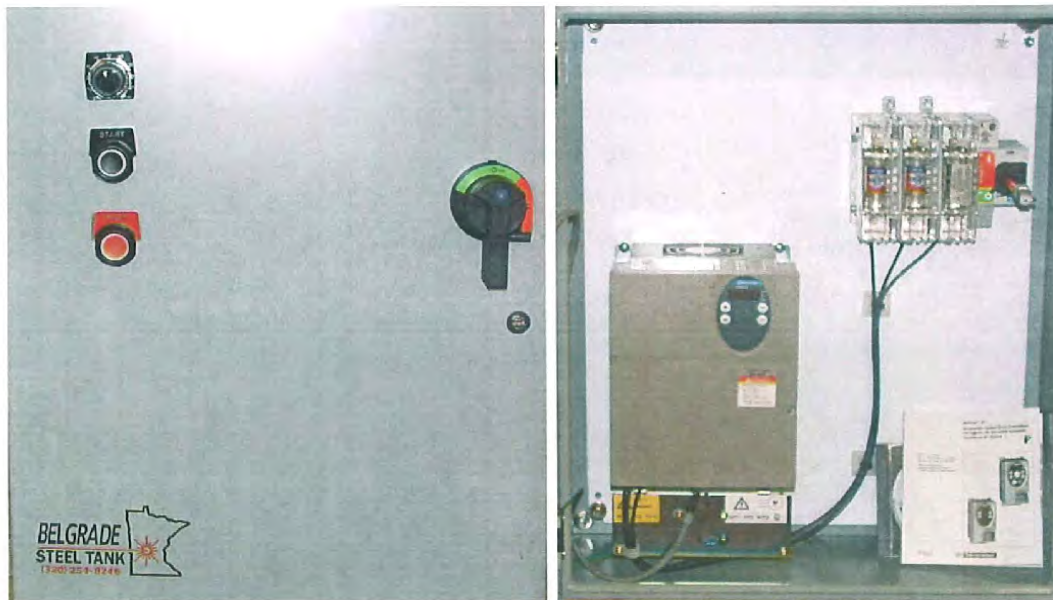
Includes The Following Standard Equipment:

- *** Type 30 10 Hp 3 Ph Compressor
- *** Horizontal 120 Gallon Capacity Tank
- *** SDR35 Refrigerated Air Dryer
- *** Filter With Auto Drain
- *** Start Up Kit

BELGRADE STEEL TANK CO., INC.**ELECTRIC MOTOR STARTER PACKAGES**

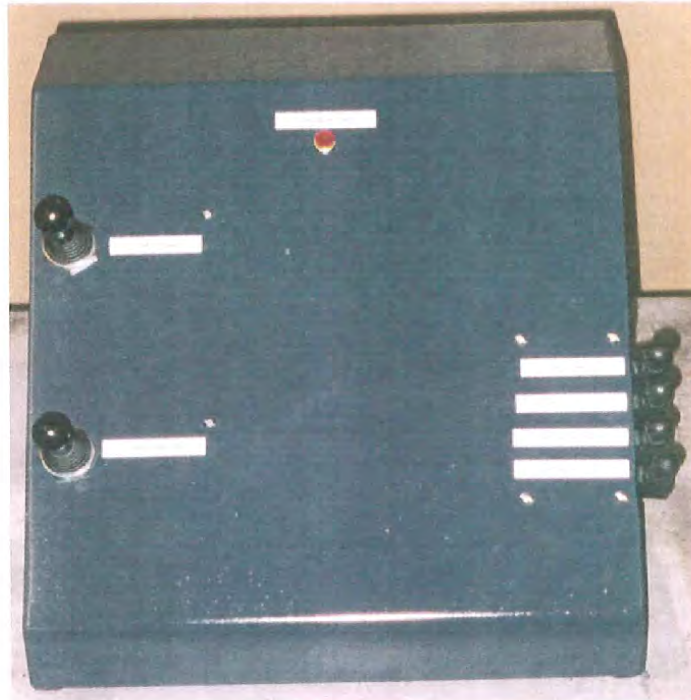
Package Includes the Following Standard Equipment - Consult Factory For Pricing:

- *** NEMA 3 Enclosure
- *** Main Disconnect
- *** Control Transformer
- *** Fuses
- *** Start / Stop Buttons (local or remote mounting)
- *** 208 / 230 / 460 Volt
- *** Single or Three Phase

BELGRADE STEEL TANK CO., INC.**VARIABLE FREQUENCY DRIVE PACKAGES**

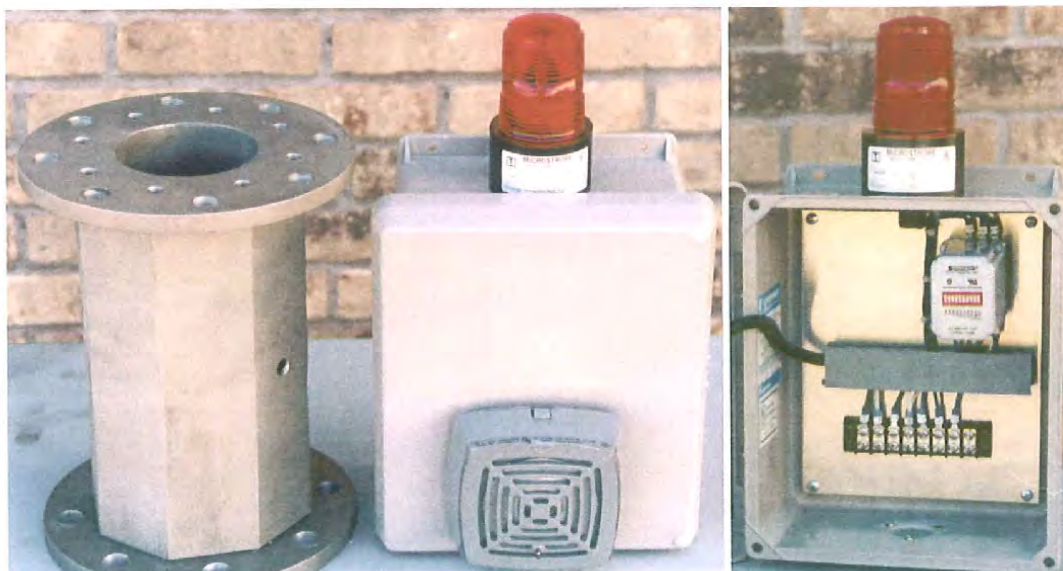
Package Includes the Following Standard Equipment - Consult Factory For Pricing:

- *** NEMA 3 Enclosure
- *** Main Disconnect
- *** Constant Torque Drive
- *** Fuses
- *** Local / Remote Display
- *** Field Adjustable Speed Control (analog or potentiometer)
- *** Programmable For 2, 4 or 8 Preset Speeds
- *** 208 / 230 / 460 Volt
- *** Single or Three Phase

BELGRADE STEEL TANK CO., INC.**CASH REGISTER STYLE MANUAL PANEL**

Price \$2,100 Includes The Following Standard Equipment:

- *** Stainless Steel Cash Register Design Enclosure
- *** (6) Mac Two Position Manual Air Valve
- *** (2) Camozzi Three Position Manual Air Valves
- *** Quick Connect Fittings And Connecting Hose
- *** No Electricity Required

BELGRADE STEEL TANK CO., INC.**ANTI-OVERFILL PINCH VALVE**

Includes The Following Standard Equipment:

- *** 4" Cast Aluminum Pinch Valve
- *** Control Panel With Audible And Visual Warning Devices
- *** Regulator And Solenoid

Includes The Following Standard Equipment:

- *** 5" Cast Aluminum Pinch Valve
- *** Control Panel With Audible And Visual Warning Devices
- *** Regulator And Solenoid

(Must be used with a high level indicator.)